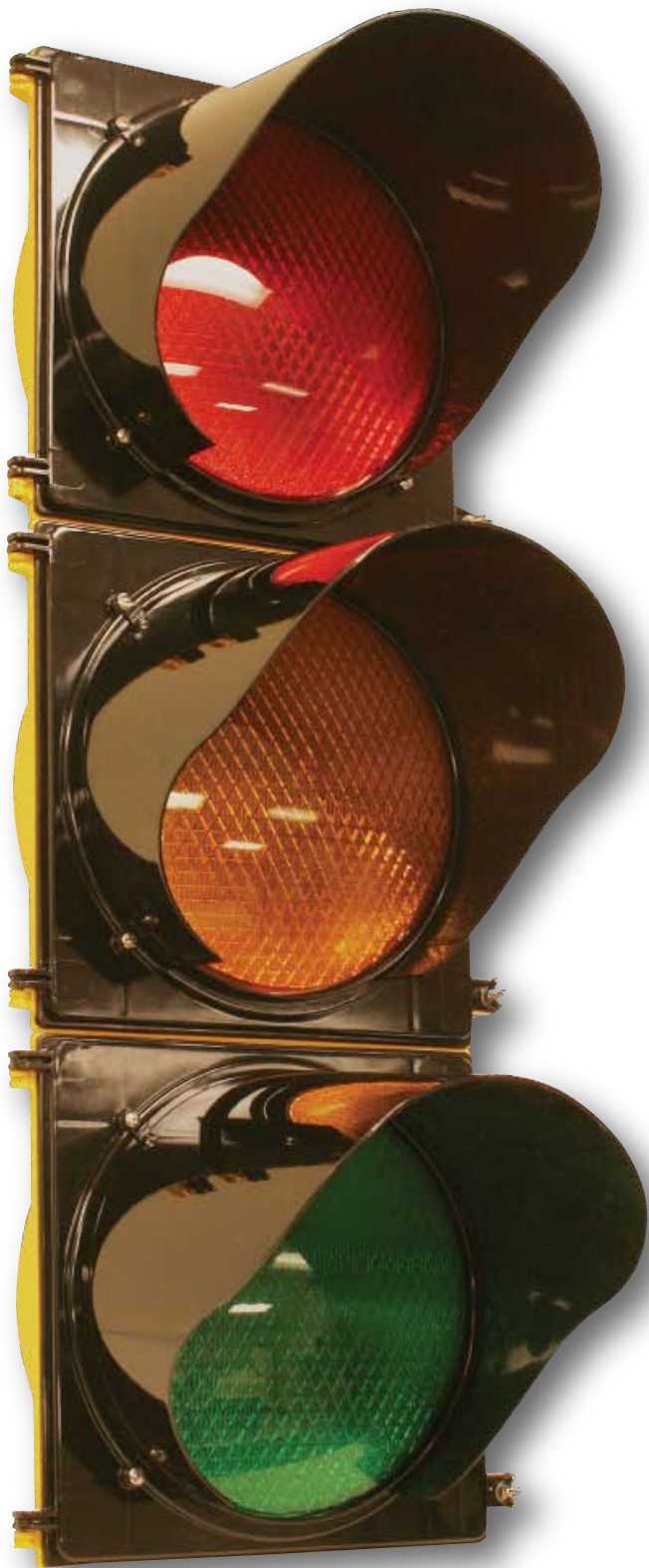


Aluminum



Features

- **LED-Ready**
- **Meets or exceeds ITE specifications.**
- **Design provides minimum weight but maximum rigidity and strength.**

HOUSING –

One-piece die-cast aluminum unit with serrations in 5° increments at each end. Each housing has provisions for mounting two terminal blocks and attaching backplates. Housings may be fastened together to make multi-section signals. The 8" and 12" housings can be intermixed to form combination signals.

DOOR –

One piece die-cast aluminum unit equipped with stainless steel hinge pins. Two stainless steel captive eyebolts and wing nuts permit easy access to the inside of the housing.

VISOR –

One piece formed aluminum unit. The removable twist-on visor is secured to the door with stainless steel hardware. Cut-away or tunnel visors are available.

REFLECTOR* –

A separately hinged, ALZAK® reflector is standard. Glass is also available.

LENS* –

Conforms to ITE specifications. The standard lens is polycarbonate, capable of withstanding illumination by a standard traffic signal lamp without physical distortion. A glass lens is also available.

GASKETS* –

A molded one piece lens gasket is used to seal the lens to the reflector assembly and door to form a sealed unit. A second gasket between the door and the housing assures the weather tight quality of the unit.

LAMP SOCKET* –

Insulated, prefocused, and may be rotated for positioning the lamp filament without using tools.

POSITIVE POSITIONING –

Positive positioning and locking is achieved through the use of serrated brackets, mast arm, or span wire fittings.

** Incandescent applications only.*

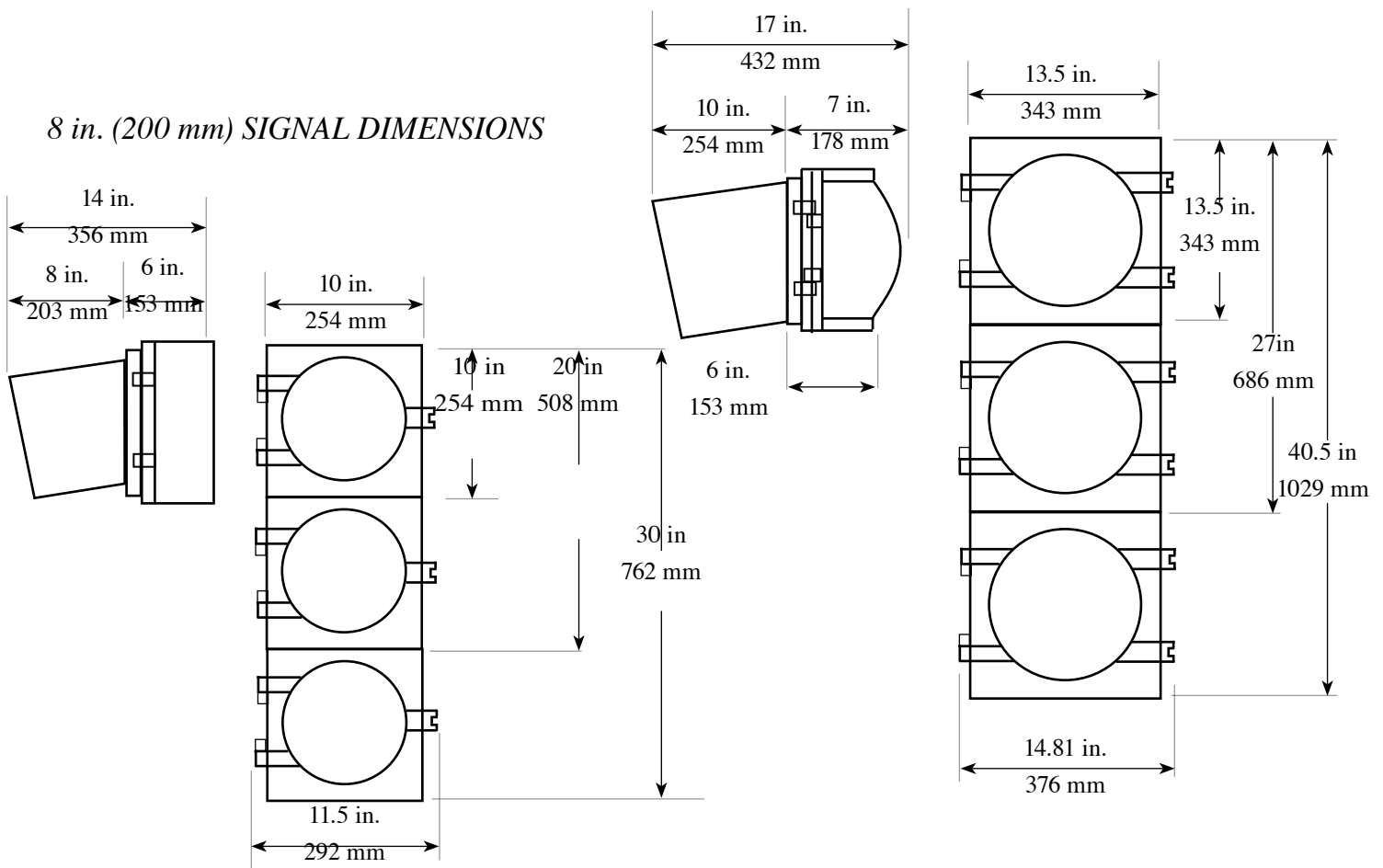


Aluminum

The standard signal is composed of three die-cast aluminum body sections containing the optical unit, lens, door and visor. The basic construction design provides minimum weight combined with maximum rigidity and strength. It meets or exceeds ITE specifications.

VISOR	COLOR
-10	Medium Green
-11	Dark Olive Green
-12	Yellow
-13	Gloss Black
-14	Flat Black

12 in. (300 mm) SIGNAL DIMENSIONS



Weights	8" (200 mm)	12" (300 mm)
Single section with visor (approx.)	8 lbs. (3.63 kg)	14 lbs. (6.35 kg)
Housing	3 lbs. 13.8 oz. (1.75 kg)	5 lbs. 6.3 oz. (2.44 kg)
Door	1 lb. 2.2 oz. (.52 kg)	1 lb. 13.9 oz. (.85 kg)
Ring	3.5 oz. (.10 kg)	6.6 oz. (.19 kg)



Aluminum

Reference No.	Description	Incandescent Applications		LED Applications	
		8" (200 mm)	12" (300 mm)	8" (200 mm)	12" (300 mm)
2	Carriage bolt (1/4-20 x 1 3/4")	A701101	A701101	A701101	A701101
3	Clamping washer	M3417	M3417	M3417	M3417
4	Hex nut (1/4-20)	M30221	M30221	M30221	M30221
5	Type 2 groove pin, SS (8" - 3/16" x 1")	A844030	N/A	A844030	N/A
	Type 2 groove pin SS (12" - 3/16"x 13/16")	N/A	A702181	N/A	A702181
6	Hinge pin (flared spiral in)	A701392	A701392	A701392	A701392
7	Spiral pin, SS (3/16" x 1")	A144006	A144006	A144006	A144006
8	Wingnut eyebolt assy.	A844263	A844263	A844263	A844263
9	Socket holder wire (bail)	A701862	A844335	N/A	N/A
	Bail wire spring	A844337	A844337	N/A	N/A
10	Socket with brass screw shell	A702029	A702029	N/A	N/A
11	Lead assy. w/spade lugs, red	A844252	A844252	N/A	N/A
	Lead assy. w/spade lugs, yellow	A844251	A844251	N/A	N/A
	Lead assy. w/spade lugs, green	A844250	A844250	N/A	N/A
12	Socket gasket	A844249	A844249	N/A	N/A
13	Reflector (Alzak)	A833245	A844325	N/A	N/A
14	Reflector gasket (Alzak)	A844246	A844326	N/A	N/A
15	Die cast reflector ring	A702159	A702158	N/A	N/A
16	Reflector ring spring	A702182	A702274	N/A	N/A
17	Lens, poly - red	PBL240	PBL246	N/A	N/A
	Lens, poly - yellow	PBL241	PBL248	N/A	N/A
	Lens, poly - green	PBL239	PBL247	N/A	N/A
18	Lens, arrow mask	N/A	PBL286	N/A	N/A
20	Lens gasket	A844248	A844328	N/A	N/A
21	Lens clip, generic	A84436155	A84436155	N/A	N/A
22	Lens clip screw, SS (10 x 3/8")	0135021	0135021	N/A	N/A
23	Door gasket	A701630	A701630	A701630	A701630
24	Signal door	A700228-XX	A700230-XX	A700228-XX	A700230-XX
25	Visor - tunnel	A700119	A700120	A700119	A700120
	Visor - cutaway	A700468	A700469	A700468	A700469
26	Visor screw, SS (10-32 x 3/8")	0135021	0135021	0135021	0135021
27	Terminal block, 4 pos. spade type	A182944	A182944	A182944	A182944
28	LED bulb - red	N/A	N/A	220-24	220-5
	LED bulb - yellow	N/A	N/A	220-16	220-10
	LED bulb - green	N/A	N/A	220-22	220-19
	LED arrow bulb - red	N/A	N/A	N/A	220-18
	LED arrow bulb - yellow	N/A	N/A	N/A	220-14
	LED arrow bulb - green	N/A	N/A	N/A	220-17

