

Cabinets



Features

These aluminum enclosures protect electronic controls and instruments from all forms of outdoor natural elements, including rain, sleet, and snow, as well as seepage and splash. They are U.L. listed and can be painted per customer requirements.

ENCLOSURE

1. Completely fabricated from .125"-thick type 5052-H32, Vinyl-coated, mill finished aluminum utilizing intermittently welded construction, subsequently weatherproofed with silicone sealant.
2. Internal attaching components include four adjustable "C" mounting channels. Two slotted rails on rear wall for attaching equipment panels.
3. Door opening single-flanged on the sides and bottom, and double-flanged on top to prevent water drops when the door is open. Opening includes a mount for two door-operated switches.
4. Thermoconvection air ventilation system utilized with provisions for mounting fan for forced-air cooling. Exhaust outlet openings provided under the roof over-hang.
5. All internal and external hardware utilize non-corrosive material.
6. Adjustable $\frac{3}{8}$ "-diameter stainless steel door stop can be latched in various positions.
7. Two (2) shelves included.

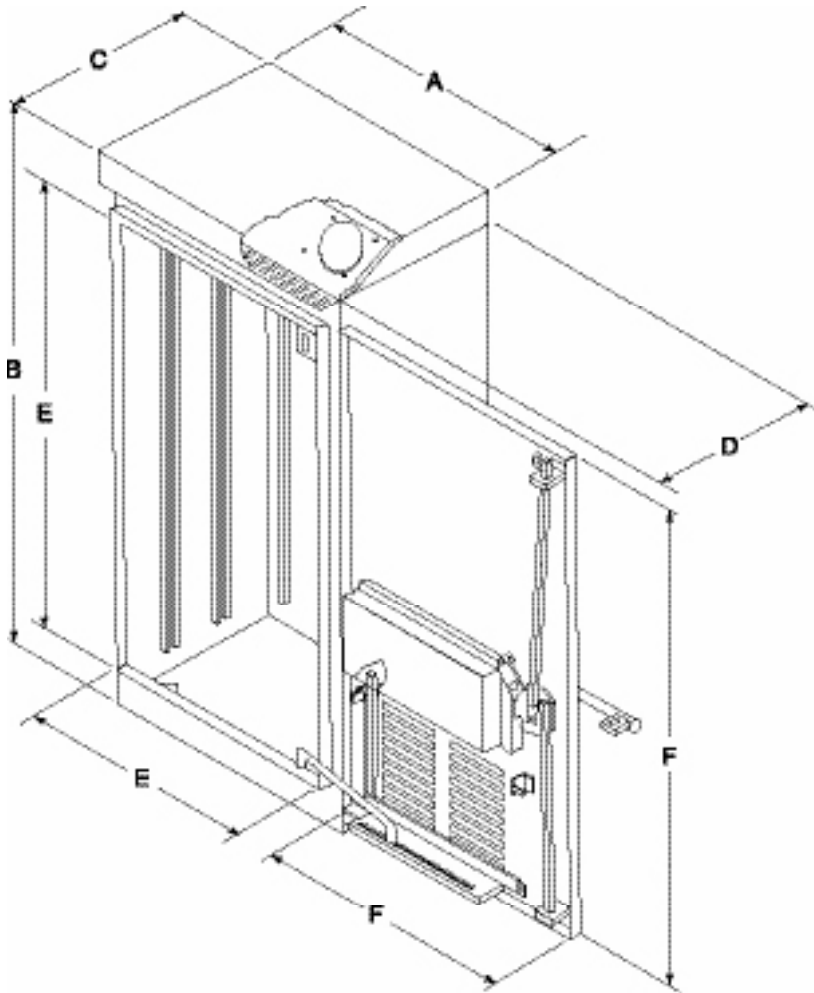
DOOR

1. Provided with three-point locking mechanism (with duplex nylon rollers top and bottom size 4).
2. $\frac{3}{4}$ "-diameter stainless steel handle with provisions for padlocking.
3. Main door lock - industrial standard pin tumbler lock with #2 key.
4. Louvered inlet with filter to prevent dirt from entering with air flow.
5. Closed-cell neoprene door seal gasket.
6. Heavy gauge aluminum butt hinge utilizing a non-removable $\frac{3}{16}$ "-diameter stainless steel hinge. Carriage bolted in place for ease of door removal.
7. 2"-deep, fabricated switch compartment included with standard "police" lock and 14-gauge stainless steel continuous hinge with $\frac{3}{32}$ "-diameter hinge pin riveted in place. Compartment mounted flush to the door.



Specifications

Cabinet Size	334	4	M-36	P	M
A Width	24.25"	24"	36"	44"	30"
B Height	66"	51"	51"	56"	51"
C Overall Depth	30 ¹ / ₄ "	18"	18"	27 ¹ / ₂ "	18"
D Useable Depth	30 ¹ / ₄ "	16"	16"	25 ¹ / ₂ "	16"
E Door Opening	22" x 56"	22 ¹ / ₄ " x 43"	34 ¹ / ₄ " x 42"	41 ¹ / ₄ " x 45 ¹ / ₄ "	28 ¹ / ₄ " x 42"
F Door Size	24" x 58"	24" x 43 ³ / ₄ "	36" x 43 ³ / ₄ "	44" x 46 ¹ / ₂ "	30" x 43 ³ / ₄ "
Catalog # Pedestal Mount	—	EL-762	—	—	EL702-S1
Catalog # Pole Mount	—	EL-763	EL704-S2	—	EL704-S1
Catalog # Base Mount	—	—	EL-704	EL-712	EL-702
Mounting Channels (per side)	19" Rack	2	2	3	2
Slotted Rails (per side)	3	3	2	2	3



OPTIONS

1. Special fan mounting available.
2. Outward rotating door handle. (except size 4)
3. Double-flange door frame to provide a better splash shield.
4. Continuously welded enclosure for maximum protection from contaminants.
5. Heavy gauge stainless steel continuous hinge utilizing a non-removable ³/₁₆"-diameter hinge pin.
6. Base or pole mount available. (Except size P)
7. Special lock keying combinations.
8. Door locking mechanism utilizing duplex nylon rollers, top and bottom. (Except size 4)
9. Three position automatic door stop positioning mechanism. (Except size 4)
10. Special finish per customer requirements.

