

Pedestrian Signals - SA Polycarbonate

Features

- **LED-Ready**
- **Meets or exceeds ITE specifications.**
- **Design provides minimum weight but maximum rigidity and strength.**

MATERIAL –

The housing, door and reflector holder/door are injection molded of ultraviolet stabilized, pre-colored opaque polycarbonate.

HOUSING –

One piece polycarbonate unit with serrations in 5° increments at each end. Each housing has provisions for mounting two terminal blocks. Housings may be fastened together to make multi-section signals.

VISOR –

Removable extruded ABS - available in tunnel or cutaway style.

LENS* –

Polycarbonate lens with completely opaque background.

REFLECTOR* –

Aluminum reflector treated with specular ALZAK® finish.

REFLECTOR HOLDER/DOOR –

Deep-base polycarbonate reflector housing gasketed to provide completely dust free unit.

LAMP SOCKET* –

Gasketed, prefocused, and may be rotated for positioning the lamp filament without using tools.

POSITIVE POSITIONING –

Molded serrations provide positive locking of sections or complete signal in any 5° increment about the vertical axis.

HINGES –

Enclosed hinges provide a modern appearance - all hardware is stainless steel.

MOUNTING –

Completely compatible with all standard signal hardware.

** Incandescent applications only.*



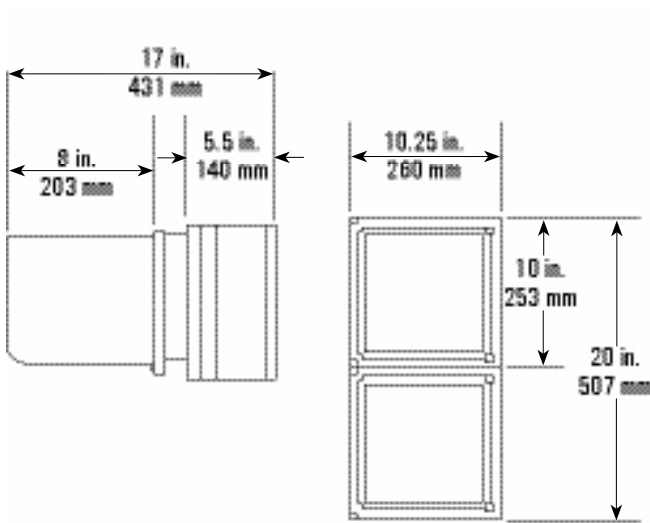
Pedestrian Signals - SA Polycarbonate

Designed to be virtually maintenance free, the polycarbonate signal's body, door, visor, and lens are manufactured from color impregnated materials. Peeling and corrosion are eliminated and scratches diminished.

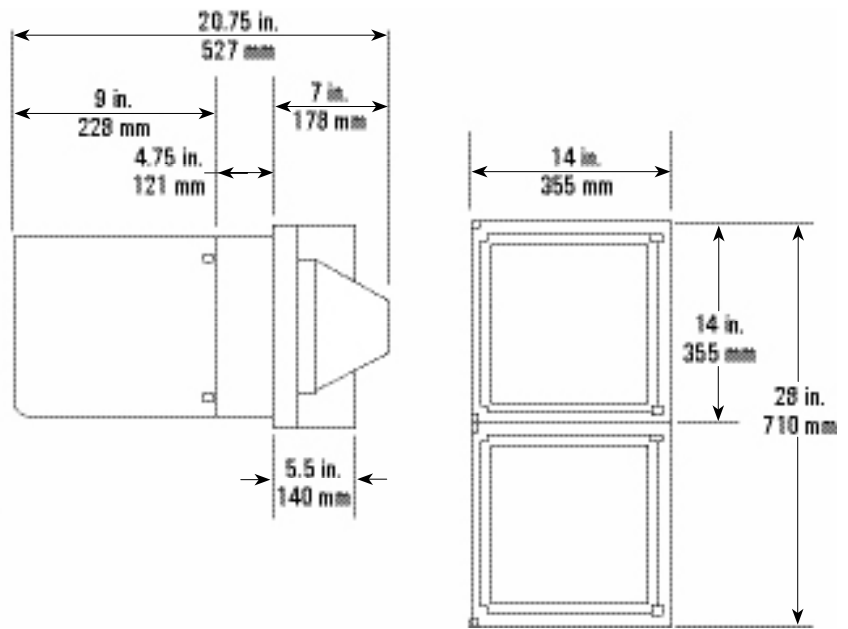
TAPCO's signals meet or exceed ITE specifications. Standard hardware may be utilized for mounting.

All legends are clearly visible and definable for any width street with ample safety factor.

Letters are 3" (76.2 mm) high with 3/8" (9.5 mm) stroke for 9" (229 mm) signals and 4 1/2" (114 mm) high with 7/16" (11 mm) stroke for 12" (300 mm) signals.



9" Pedestrian Signal



12" Pedestrian Signal

Weights	9" (225 mm)	12" (300 mm)
Single section with visor (approx.)	5 lbs. (2.27 kg)	7 lbs. (3.2 kg)
Housing	1 lb. 6.3 oz. (.63 kg)	2 lbs. 5.2 oz (1.05 kg)
Door	7.5 oz. (.21 kg)	15.1 oz. (.43 kg)

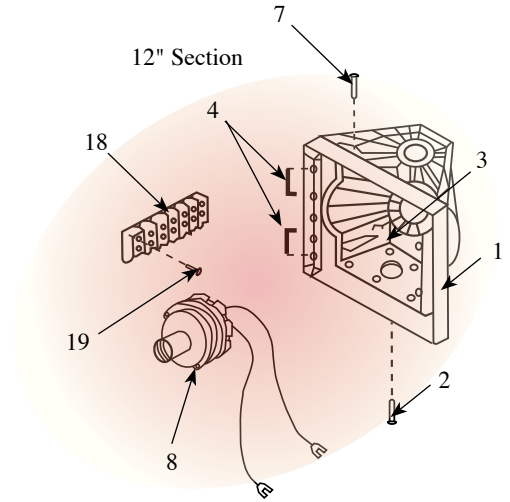


Signals

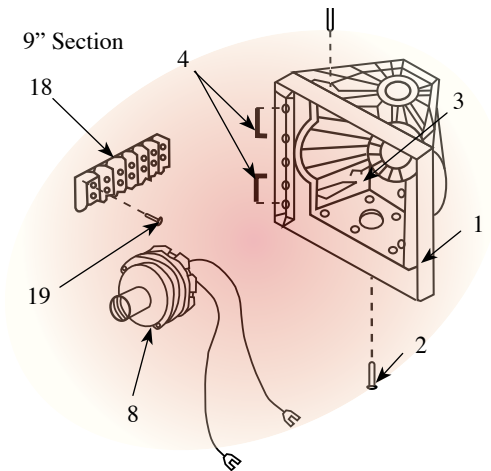
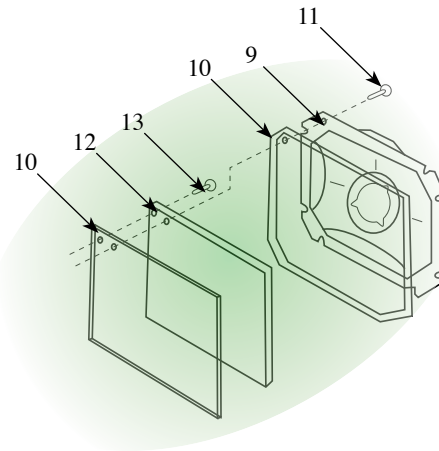
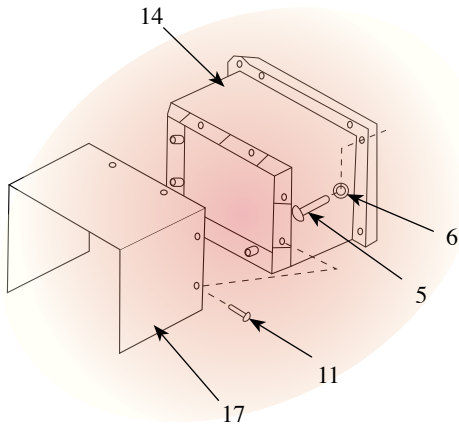
TAPCO TAPCO TAPCO TAPCO TAPCO TAPCO TAPCO TAPCO TAPCO TAPCO

Pedestrian Signals - SA Polycarbonate

Standard Head Assembly

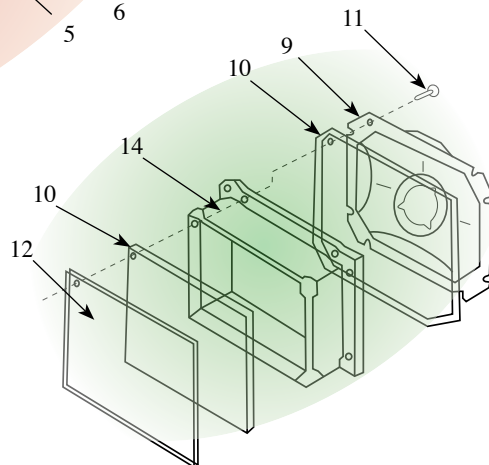
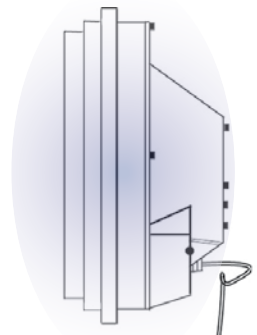


Incandescent Assembly



LED Assembly

See pages 30-35 for options.



Pedestrian Signals - SA Polycarbonate

Ref. No.	Description	Incandescent 9" (200 mm)	Applications 12" (300 mm)	LED 9" (200 mm)	Applications 12" (300 mm)
1	Signal housing, yellow	KB6214	KB6214	KB6214	KB6214
	Signal housing, black	KB6216	KB6216	KB6216	KB6216
2	Screw (10-24 Hex screw)	O141716	O141716	O141716	O141716
3	Flange nut	0150715	0150715	0150715	0150715
4	Hinge pin	K1196	K1196	K1196	K1196
5	Thumbscrew, SS	014212	014212	014212	014212
6	Thumbscrew washer	0155924	0155924	0155924	0155924
7	Hole plug	PHP16	PHP16	PHP16	PHP16
8	Socket assy. w/spade lugs, red	KB360211	KB360211	KB360211	KB360211
	Socket assy. w/spade lugs, green	KB360213	KB360213	KB360213	KB360213
9	Reflector	PBR28	PBR27	N/A	N/A
10	Reflector gasket, lens gasket	PBG71	PBG71	N/A	N/A
11	Reflector screw, visor screw	0133029	0133029	N/A	N/A
12	Lens, poly - Portland Orange (Don't Walk)	K1305	K1345	N/A	N/A
	Lens, poly - Lunar White (Walk)	K1304	K1344	N/A	N/A
	Lens, poly - Portland Orange (ITE Hand)	K1420	K1423	N/A	N/A
	Lens, poly - Lunar White (ITE Man)	K1421	K1422	N/A	N/A
	Lens, poly - red (X)	—	K1356	N/A	N/A
	Lens, poly - yellow (X)	—	K1357	N/A	N/A
	Lens, poly - yellow (∩)	—	K1358	N/A	N/A
	Lens, poly - yellow (∪)	—	K1360	N/A	N/A
	Lens, poly - green (∩)	—	K1359	N/A	N/A
	Lens, poly - green (∪)	—	K1361	N/A	N/A
13	Lens screw, SS	—	0135014	N/A	N/A
14	Signal door, yellow	KB5215	KB5415	KB5215	KB5415
	Signal door, black	KB5217	PDM505	KB5217	PDM505
15	Holder, yellow	PDM530	—	PDM530	—
	Holder, black	PDM528	—	PDM528	—
16	Holder screw	0117112	—	0117112	—
17	Visor, cutaway - yellow	K1380	K1384	K1380	K1384
	Visor, cutaway - black	PDM556	PDM557	PDM556	PDM557
	Visor, tunnel - yellow	K1388	K1392	K1388	K1392
	Visor, tunnel black	PDM537	PDM538	PDM537	PDM538
18	Terminal block	PCT19	PCT19	PCT19	PCT19
19	Terminal block screw, SS	0135013	0135013	0135013	0135013

For LED Pedestrian modules information and variations, see page 32



Order by Phone 1-262-814-7000 Toll-free 1-800-236-0112
or Order by Fax 1-262-814-7017 Toll-free 1-800-444-0331

