

Poles, Bases & Arms

TAPCO TAPCO TAPCO TAPCO TAPCO TAPCO TAPCO TAPCO TAPCO TAPCO TAPCO



Pole/Base

PEDESTAL POLE

Standard 4.5" OD aluminum pedestal pole. Provides years of rust-free service. Available in various lengths depending on your needs. Supplied with one end threaded for easy installation into pedestal base.

Part Numbers:

373-8	8' Schedule 40 pipe raw aluminum	373-880	8' Schedule 80 pipe raw aluminum
373-10	10' Schedule 40 pipe raw aluminum	373-1180	11' Schedule 80 pipe raw aluminum
373-13	13' Schedule 40 pipe raw aluminum	373-1380	13' Schedule 80 pipe raw aluminum
373-15	15' Schedule 40 pipe raw aluminum	373-1580	15' Schedule 80 pipe raw aluminum

See page 50 for pole cap.

NOTE: To determine the pole length required for your application the bottom of the sign or signal needs to be 7ft to the bottom of the base per MUTCD standards.

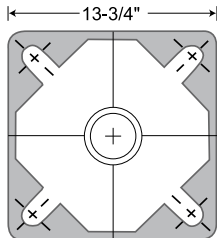
PEDESTAL BASE

TAPCO'S TP-358 cast aluminum pedestals mount on a concrete base attached by four internal anchor bolts imbedded in the base. The pedestal has a large 8.5" square hand hole cover allowing access to the interior of the base for ease of cable splicing and anchor bolt attachment. Available unpainted, Federal Highway yellow, black or color of your choice.

Part Number 203-14 Unpainted

Part Number 203-15 Yellow

Part Number 203-12 Black



Transverse Bolt Spacing:
12.0" min. to 14.5" max.

12³/₄" Bolt Circle



ANCHOR BOLTS

Bolts are available in 18", 42" and 60" galvanized steel. Set of four includes lock washer and nut.

Part Number 122-UA242 3/4" x 18" Anchor Bolt

Part Number 3177-42 1" x 42" High Strength Anchor Bolt

Part Number 3177-60 1" x 60" High Strength Anchor Bolt



Poles

POLES

Poles are produced in aluminum or steel.

Type II:

This aluminum pole is designed per WIS DOT specifications. It is 20ft in length and can accommodate up to a 25ft trombone arm with vehicle and pedestrian signals mounted side of pole.

Type III:

Steel 30ft length pole is designed per WIS DOT Specifications. Available in steel only. Can accommodate up to a 25ft trombone arm, twin 15ft truss type lighting arms with cobra head style luminaires and vehicle and pedestrian signals mounted side of pole.

Type IV:

Steel 30ft length pole is designed per WIS DOT specifications. Available in steel only. Can accommodate up to twin 15ft truss type lighting arms with cobra style luminaires and vehicle and pedestrian signals mounted side of pole.

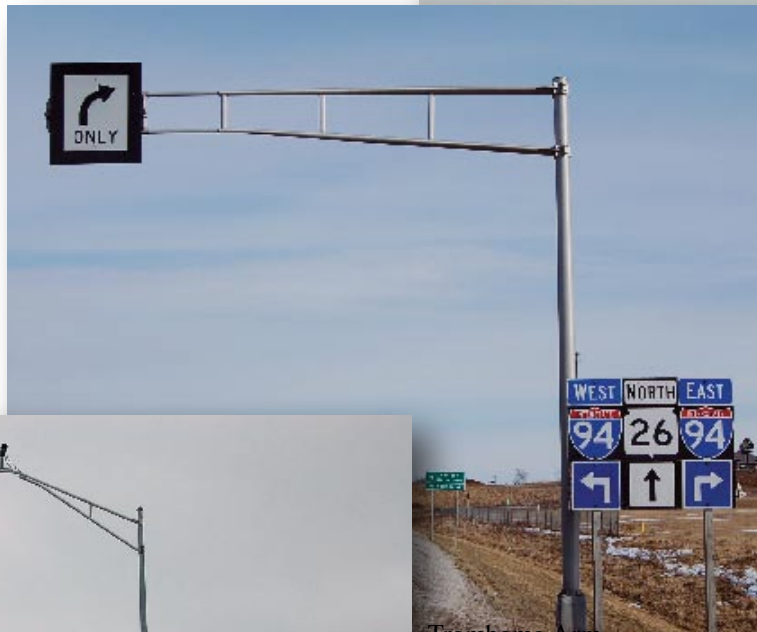
Type V:

Aluminum or Steel 30ft length pole is designed per WIS DOT specifications. This is a lighting pole only. Can accommodate up to twin 15ft truss type lighting arms with cobra style luminaires.

Truss Arm



Single Member Arm



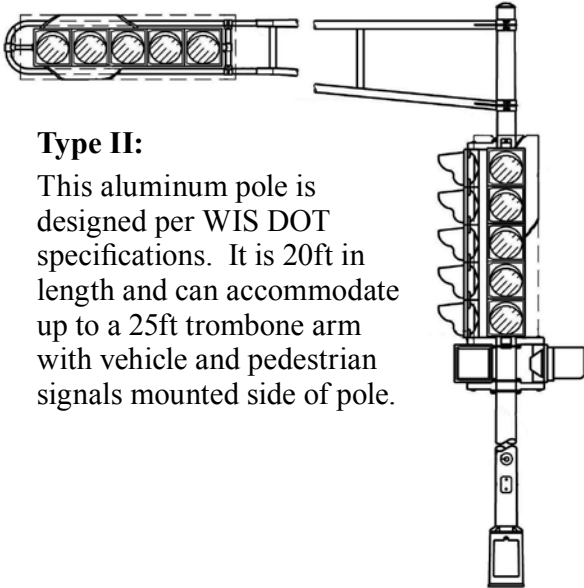
Trombone Arm



Poles, Bases & Arms

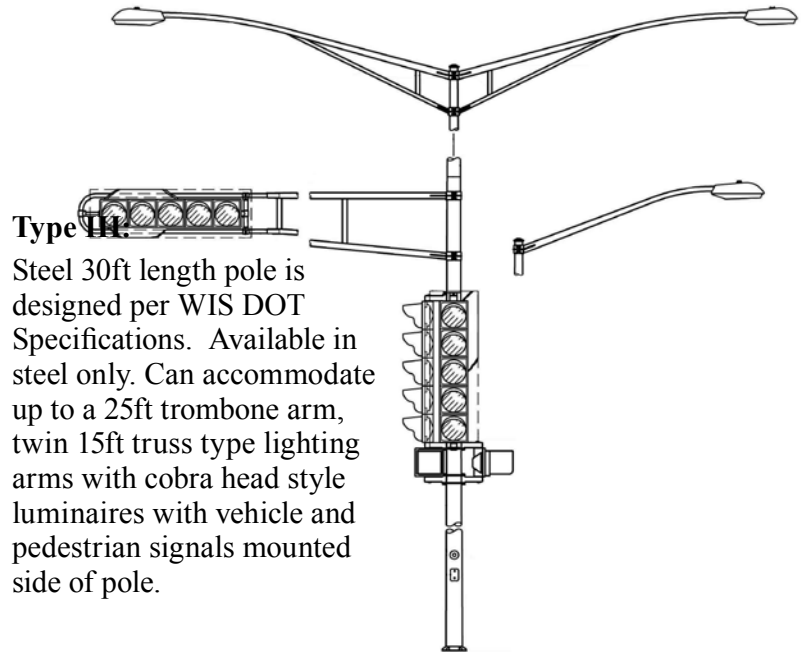
TAPCO TAPCO TAPCO TAPCO TAPCO TAPCO TAPCO TAPCO TAPCO TAPCO TAPCO

Poles



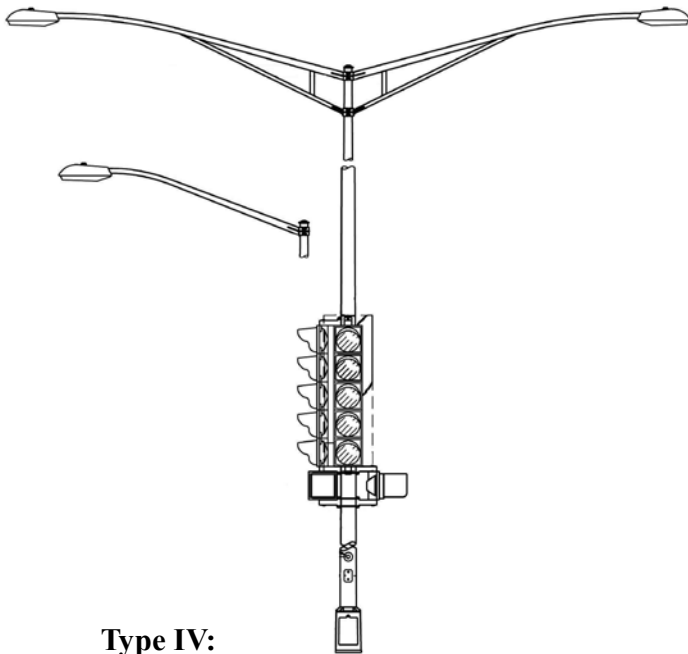
Type II:

This aluminum pole is designed per WIS DOT specifications. It is 20ft in length and can accommodate up to a 25ft trombone arm with vehicle and pedestrian signals mounted side of pole.



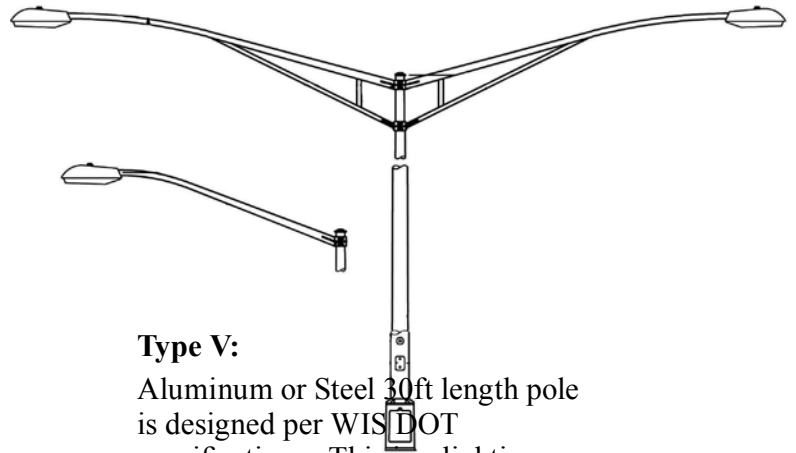
Type III:

Steel 30ft length pole is designed per WIS DOT Specifications. Available in steel only. Can accommodate up to a 25ft trombone arm, twin 15ft truss type lighting arms with cobra head style luminaires with vehicle and pedestrian signals mounted side of pole.



Type IV:

Steel 30ft length pole is designed per WIS DOT specifications. Available in steel only. Can accommodate up to twin 15ft truss type lighting arms with cobra style luminaires and vehicle and pedestrian signals mounted side of pole.



Type V:

Aluminum or Steel 30ft length pole is designed per WIS DOT specifications. This is a lighting pole only. Can accommodate up to twin 15ft truss type lighting arms with cobra style luminaires.



Bases

Transformer Base

17" Breakaway Base is designed per current AASHTO and FHWA specifications. The base has 1" SS hex head door bolt, 9 1/4" x 13 1/2" accessible door and comes with 4 thick (2 3/4" dia. x 1 1/16" I.D. x 1/2" TK steel washer for 1" diam. anchor bolts and 4 thin washers (2 1/2" DIA. X 1 1/16" I.D. x 3/8" TK steel washer for 1" diameter anchor bolts.

Transformer bases are used for lighting, traffic signals and controller cabinets. The transformer base is arranged to mount on a concrete base attached by four internal anchor bolts embedded in the base.

SIZES AVAILABLE

TB1-17 10 1/2" – 13 1/2" Top bolt circle; 13"-15" Bottom bolt circle

Part Number 201-17

TB2-17 10"-12" Top and Bottom Bolt Circle

Part Number 201-5

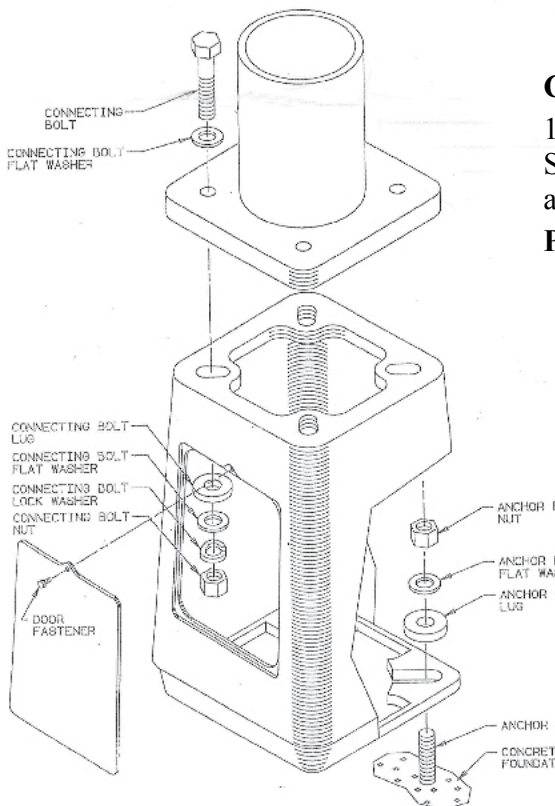
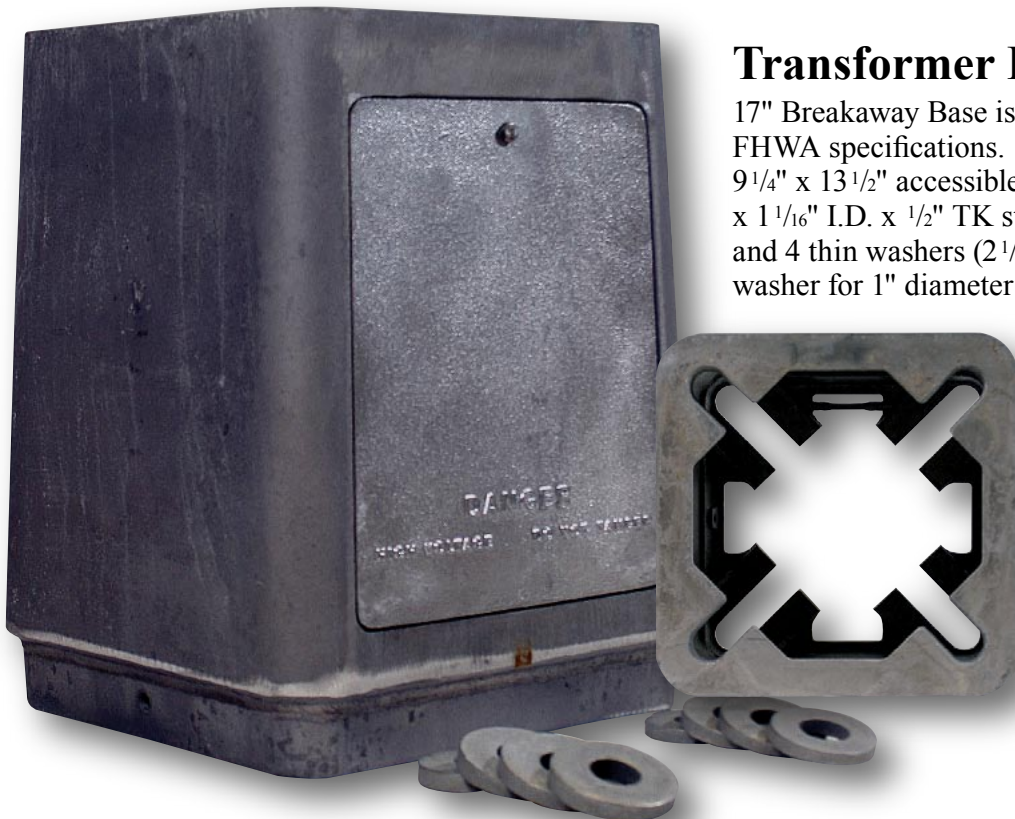
TB3-17 13"-15" Top bolt circle; 15"-17" Bottom bolt circle

Part Number 201-4

CONNECTING BOLTS

1" X 4" bolt used to connect pole to base. Sold in sets of 4. Comes with two washers, one lock washer and nut.

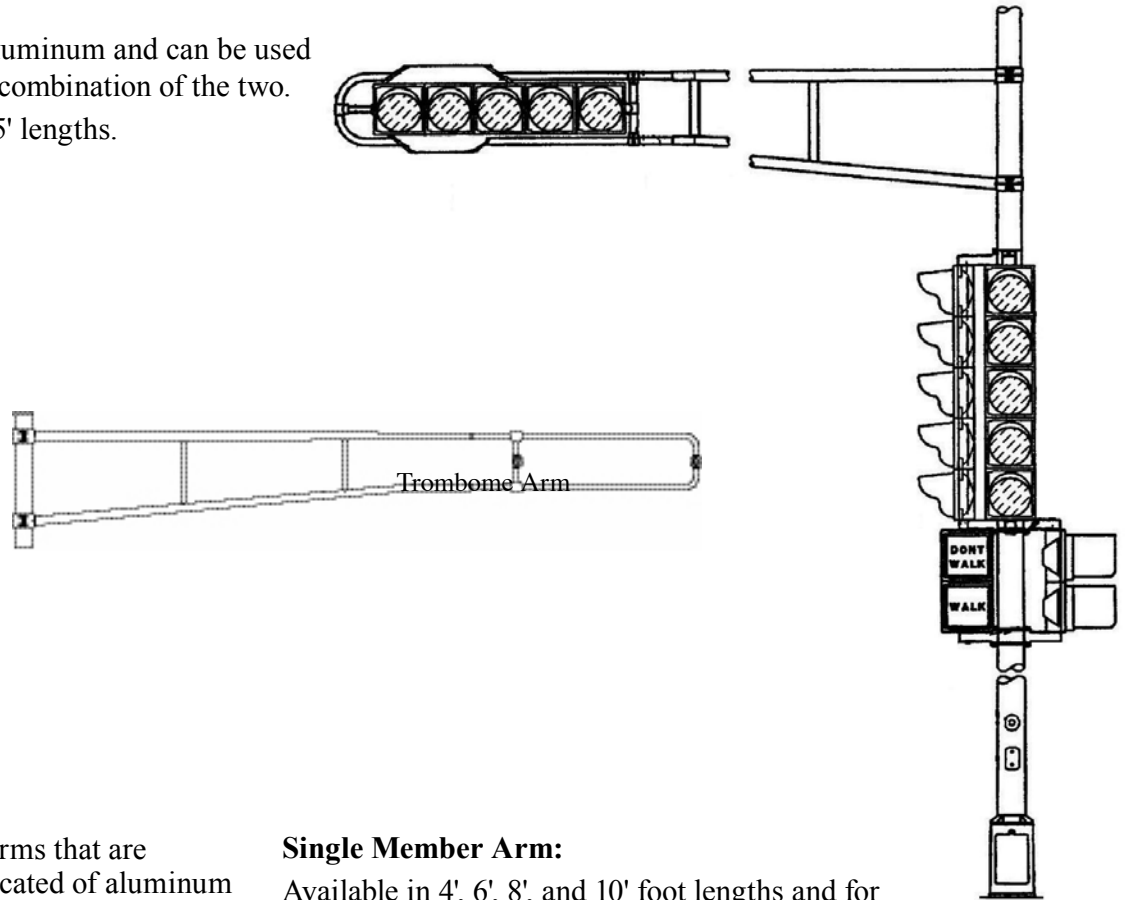
Part Number 30-4



Arms

TROMBONE ARMS

Trombone arms are made of aluminum and can be used for signals and signage or any combination of the two. Available in 12', 15', 20', and 25' lengths.



LIGHTING ARMS

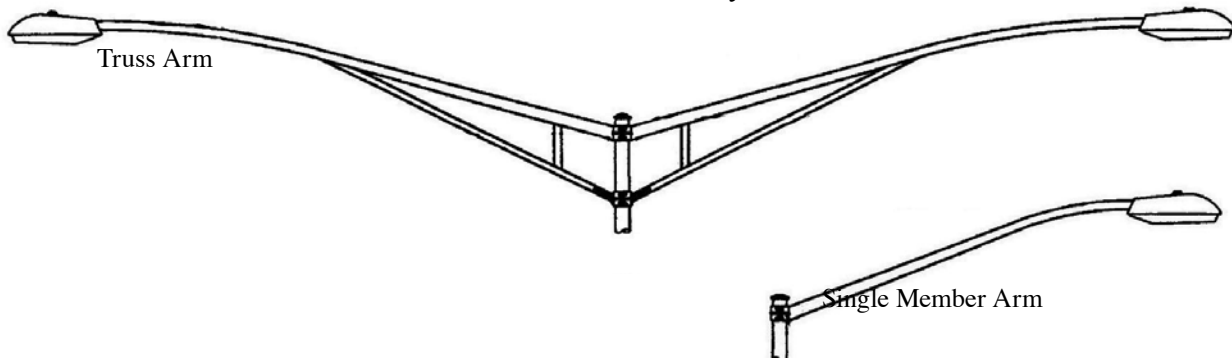
Two styles of luminaire mast arms that are available. These arms are fabricated of aluminum and meet all applicable AASHTO and ASTM standards. The two arm types are;

Single Member Arm:

Available in 4', 6', 8', and 10' foot lengths and for use with cobra style luminaires or video camera

Truss Arm:

Available in 10', 12', and 15' lengths for use with cobra style luminaires.



Call TAPCO to discuss your needs and specifications.

Our representatives are able to help you choose the right combination of pole, arm, and structure.

Luminaire

Cobra style high pressure sodium light fixtures are used for roadway or highway light applications. These flat glass lens units are multi-tap and can be operated with voltages from 120 to 277 volts and include self leveling bubble. Higher voltage and wattage units are available as special orders. Photo cell optional.

Part Number

150 Watt Multi-tap 2570-150

Part Number

250 Watt Multi-tap 2570-250

250 Watt Multi-tap 2570-250



CALL FOR DETAILS

Order by Phone 1-262-814-7000 Toll-free 1-800-236-0112
or Order by Fax 1-262-814-7017 Toll-free 1-800-444-0331

