

SA Polycarbonate



Features

- LED-Ready
- Meets or exceeds ITE specifications.
- Design provides minimum weight but maximum rigidity and strength.

MATERIAL –

The housing, door and visor are injection molded of ultraviolet stabilized, pre-colored opaque polycarbonate.

HOUSING –

One piece unit with serrations in 5° increments at each end. Each housing has provisions for mounting two terminal blocks and attaching backplates. Housings may be fastened together to make multi-section signals. The 8" and 12" housings can be intermixed to form combination signals.

DOOR –

One piece polycarbonate unit equipped with stainless steel hinge pins. Stainless steel thumbscrews hold the door against the housing.

VISOR –

The removable twist-on visor is secured to the door with stainless steel hardware. Cut-away or tunnel visors are available.

REFLECTOR* –

A separately hinged, ALZAK® reflector is standard. Glass is also available.

LENS* –

Conforms to ITE specifications. The standard lens is polycarbonate, capable of withstanding illumination by a standard traffic signal lamp without physical distortion. A glass lens is also available.

LENS GASKET* –

A molded one piece gasket is used to seal the lens to the reflector and door to form a sealed unit.

LAMP SOCKET* –

Insulated, pre-focused and may be rotated for positioning the lamp filament without using tools.

POSITIVE POSITIONING –

Positive positioning and locking is achieved through the use of serrated brackets, mast arm or span wire fittings.

** Incandescent applications only.*

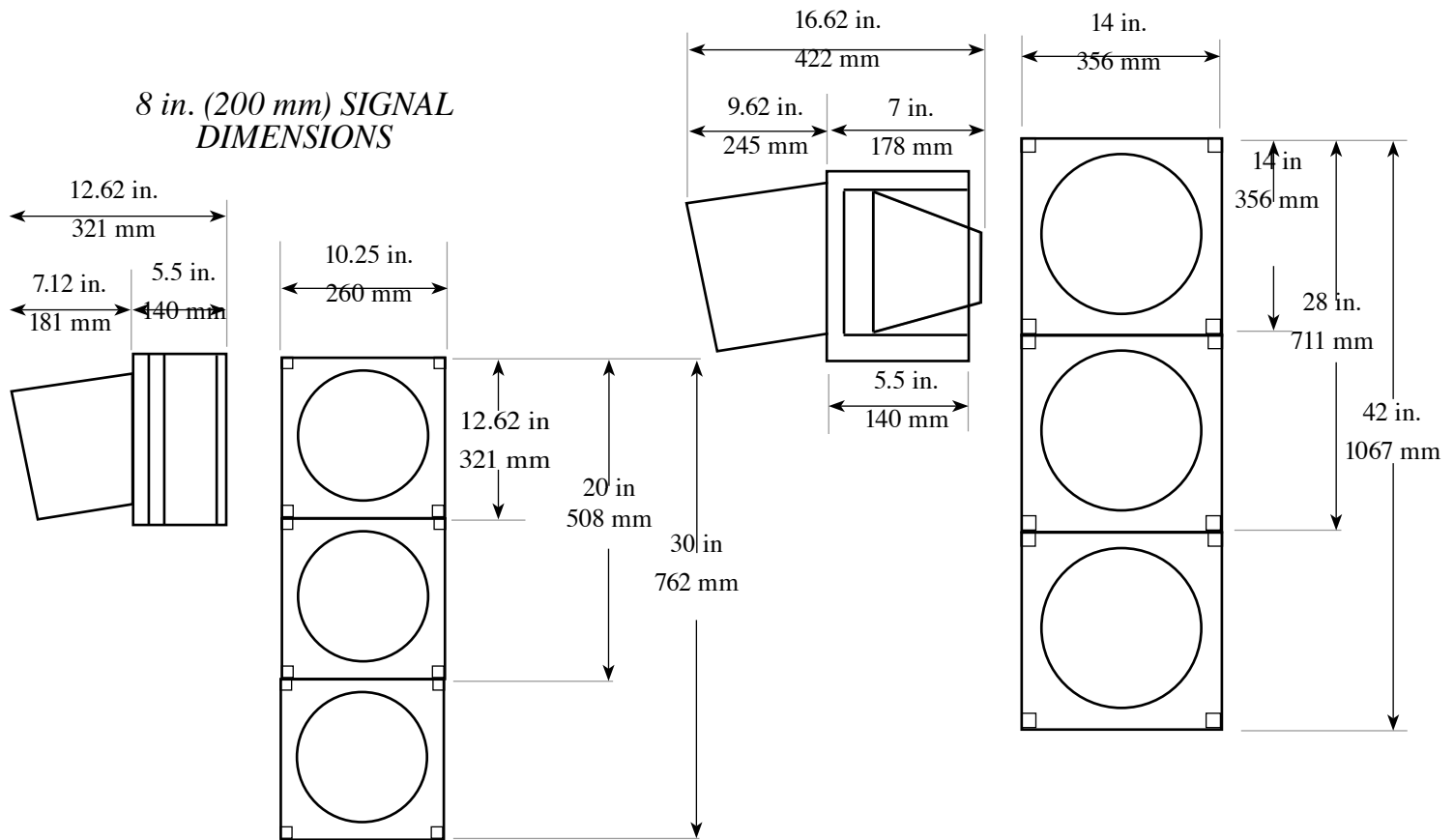


SA Polycarbonate

The standard signal is composed of three injection molded polycarbonate body sections containing the optical unit, lens, door and visor. The basic construction design provides minimum weight combined with maximum rigidity and strength. Coloring is molded in all the way through: therefore, there is no peeling, no corrosion, and scratches will not show. It meets or exceeds ITS specifications.

VISOR	COLOR
XX	Color
03	Black
04	Yellow
05	Green

12 in. (300 mm) SIGNAL DIMENSIONS



Weights	8" (200 mm)	12" (300 mm)
Single section with visor (approx.)	4 lbs. (1.81 kg)	7 lbs. (3.18 kg)
Housing	1 lb. 6.4 oz. (.64 kg)	2 lbs. 5.2 oz. (1.05 kg)
Door	7.5 oz. (.21 kg)	15.1 oz. (.43 kg)
Ring	3.5 oz. (.10 kg)	6.6 oz. (.19 kg)

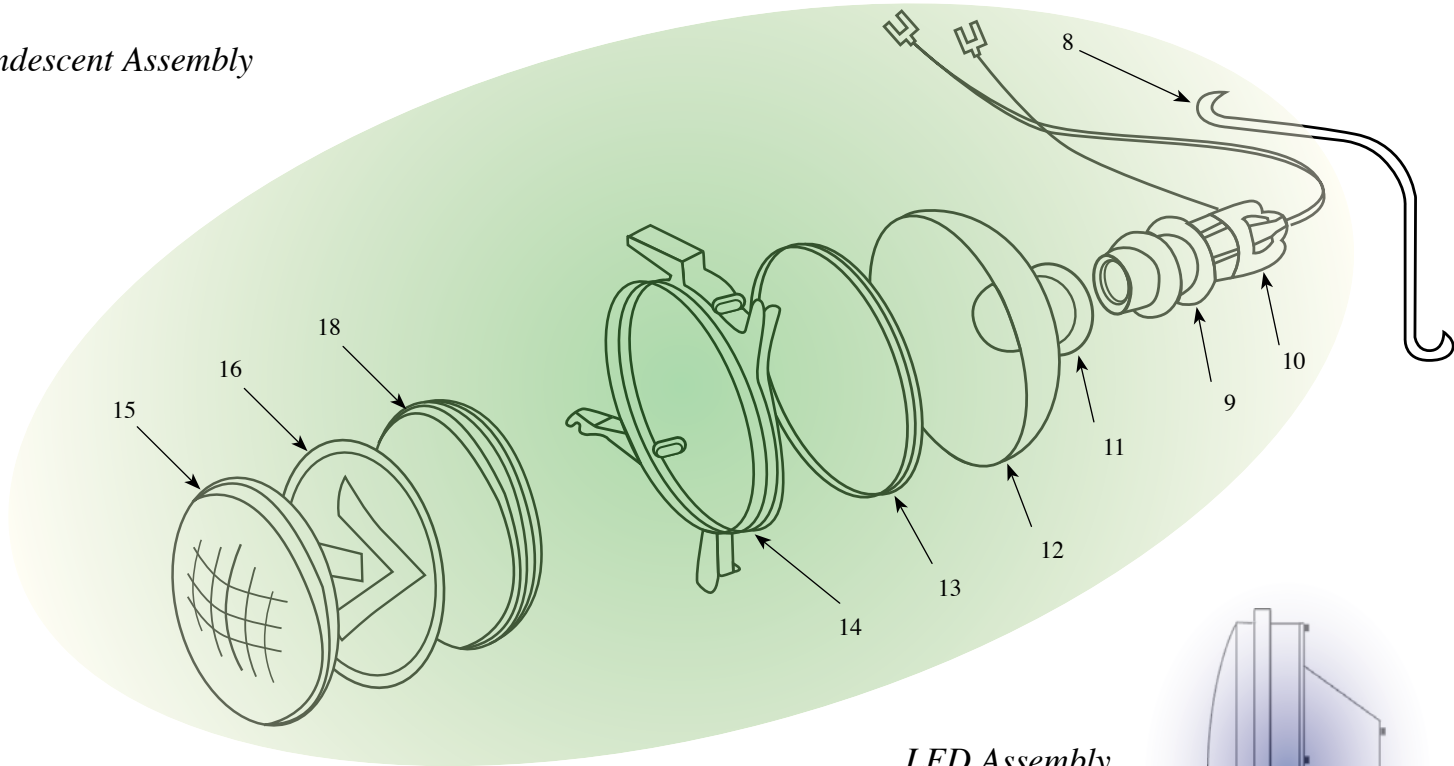


DON'T SEE WHAT YOU NEED?
JUST GIVE US A CALL



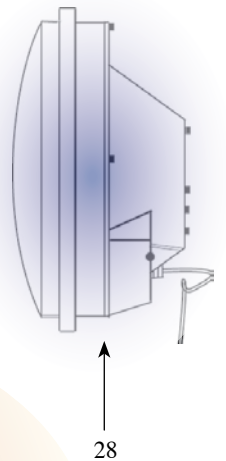
SA Polycarbonate

Incandescent Assembly

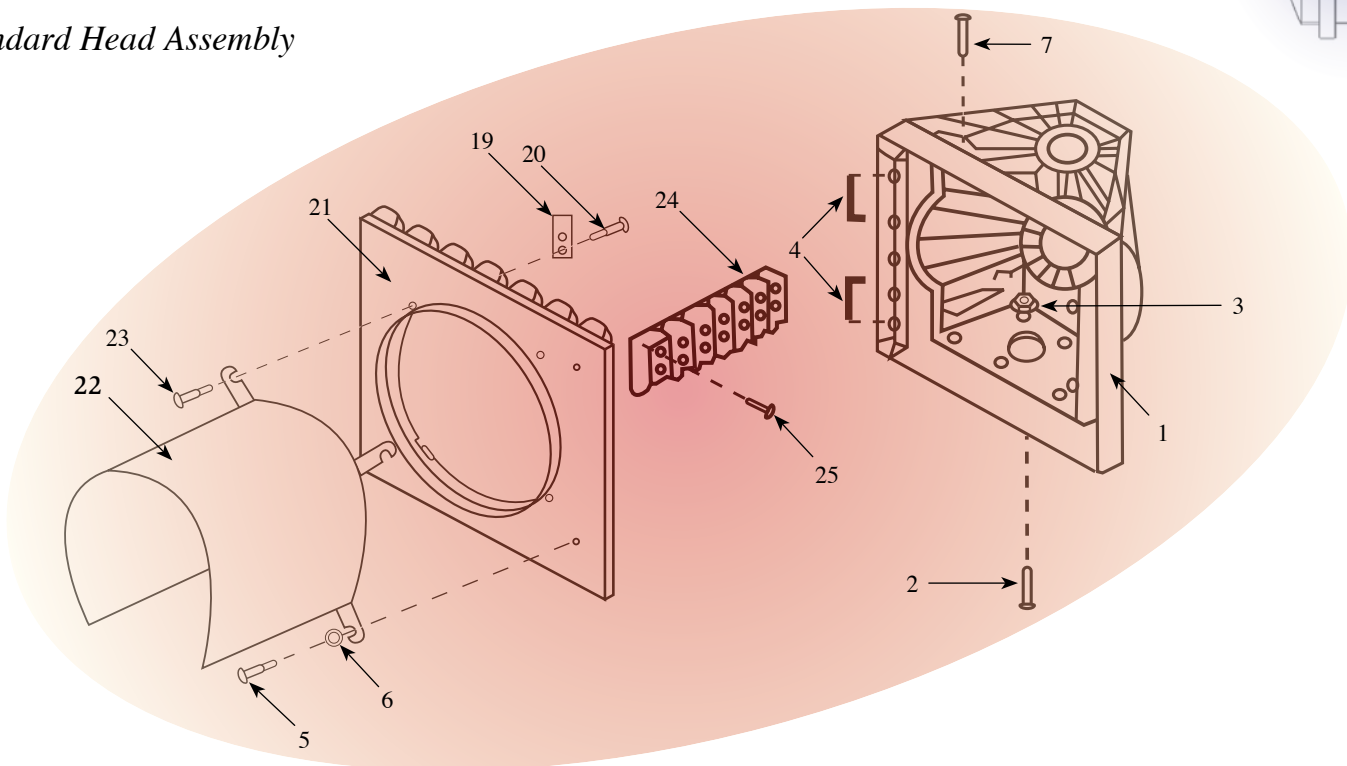


LED Assembly

See pages 30-35
for options.



Standard Head Assembly



SA Polycarbonate

Reference No.	Description	Incandescent Applications		LED Applications	
		8" (200 mm)	12" (300 mm)	8" (200 mm)	12" (300 mm)
1	Signal Housing - yellow	KB19111	KB4816	KB19111	KB4816
	Signal Housing - black	KB19112	KB4817	KB1912	KB4817
2	Screw (10-24 hex screw)	0140716	0141716	0141716	041716
3	Flange nut	0150715	0150715	0150715	0150715
4	Door hinge pin	K-1196	K-1196	K-1196	K-1196
5	Thumbscrew, SS	014212	014212	014212	014212
6	Thumbscrew washer, SS	0155924	0155924	0155924	0155924
7	Hole plug	PHP16	PHP16	PHP16	PHP16
8	Socket holder wire (bail)	A701862	A844335	N/A	N/A
	Bail wire spring	A844337	A844337	N/A	N/A
9	Socket with brass screw shell	A702029	A702029	N/A	N/A
10	Lead assy. w/spade lugs, red	A844252	A844252	N/A	N/A
	Lead assy. w/spade lugs, yellow	A844251	A844251	N/A	N/A
	Lead assy. w/spade lugs, green	A844250	A844250	N/A	N/A
11	Socket gasket	A844249	A844249	N/A	N/A
12	Reflector (Alzak)	A844245	A844245	N/A	N/A
13	Reflector gasket (Alzak)	A844246	A844246	N/A	N/A
14	Die-cast reflector ring	A702159	A702158	N/A	N/A
15	Lens, poly - red	PBL240	PBL246	N/A	N/A
	Lens, poly - yellow	PBL241	PBL248	N/A	N/A
	Lens, poly - green	PBL239	PBL247	N/A	N/A
16	Lens, arrow mask	PBL03314	PBL286	N/A	N/A
18	Lens gasket	A844248	A844328	N/A	N/A
19	Lens clip, generic	A84436155	A84436155	N/A	N/A
20	Lens clip screw	0133029	0133029	N/A	N/A
21	Signal door, yellow	PDM2028	PDM2031	PDM2028	PDM2031
	Signal door, black	PDM2027	PDM2030	PDM2027	PDM2030
22	Visor - tunnel	A700119-XX	A700120-XX	A700119-XX	A700120-XX
	Visor - cutaway	A7800468-XX	A700469-XX	A7800468-XX	A700469-XX
23	Visor screw, SS (10-32 x 3/8")	0135021	0135021	0135021	0135021
24	Terminal block, 6 pos. spade type	PCT100	PCT100	PCT100	PCT100
25	Terminal block scrow, SS	A702121	A702121	A702121	A702121
28	LED bulb - red	N/A	N/A	220-24	220-5
	LED bulb - yellow	N/A	N/A	220-16	220-10
	LED bulb - green	N/A	N/A	220-22	220-19
	LED arrow bulb - red	N/A	N/A	N/A	220-18
	LED arrow bulb - yellow	N/A	N/A	N/A	220-14
	LED arrow bulb - green	N/A	N/A	N/A	220-17

