

Mounting Hardware

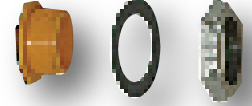
TAPCO TAPCO TAPCO TAPCO TAPCO TAPCO TAPCO TAPCO TAPCO TAPCO



Replacement Parts

Post Top Closure Kit

Description	No. Required	Color	Part Number
Post Top Closure Kit	1	Yellow	122-BK01030A
Post Top Closure Kit	1	Unpainted	122-BK01030AS



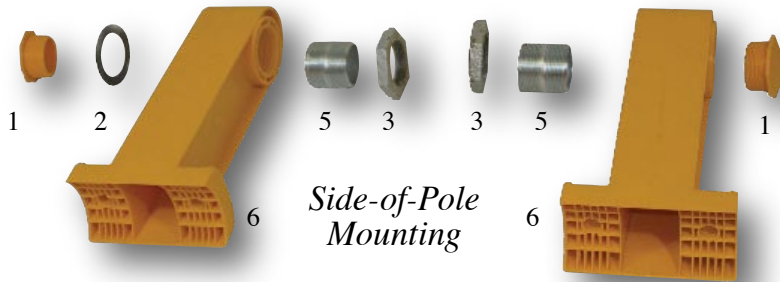
Side-of-Pole Mounting Kit

Description	No. Required	Color	Part Number
Mounting Assembly Kit	1	Yellow	122-FR1JPY
Mounting Assembly Kit	1	Black	122-FR1JPB

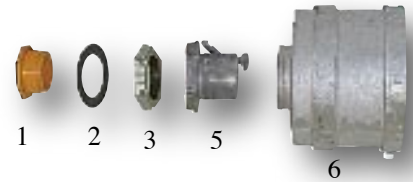


Side-of-Pole Mounting

Item No.	Description	No. Required	Color	Part Number
1	Pinnacle	2	Yellow	290-SE0499
	Pinnacle	2	Black	290-SE049902
2	Neoprene Washer - 1-1/2"	1	—	290-SE0354
3	Galvanized Hex Locknut	2	—	1168-5
5	Zinc Plated 1.5" x 2" Nipple	2	—	217-3
6	Poly Mounting Bracket	2	Yellow	122-PDM405
	Poly Mounting Bracket	2	Black	122-PDM442



Side-of-Pole Mounting



Post Top Mounting

Post Top Mounting Assembly

Item No.	Description	No. Required	Color	Part Number
1	Pinnacle	2	Yellow	290-SE0499
	Pinnacle	2	Black	290-SE049902
2	Neoprene Washer - 1-1/2"	1	—	290-SE0354
3	Galvanized Hex Locknut	2	—	1168-5
5	Zinc Plated 1.5" x 2" Nipple	1	—	217-3
6	Raw Collar, Aluminum with Locknut and Nipple	1	—	1168-8



Miscellaneous Hardware



RIGID SIGNAL MOUNTING

Aluminum mounting systems provides secure mounting of signals. The kit is supplied with 12" nipples and universal hubs. This system can be purchased as a kit or each component individually.

Part Number 290-13



ROGER WRENCH

This Roger wrench provides a flexible convenient tool that fits a wider range of nuts. The Roger wrench fits all nut sizes for the spanner wrench as well as the hexagonal nuts.

Part Number 290-15

ALL THREAD NIPPLE

This all threaded nipple has a 1 1/2" ID and is 2" long. It is available in either aluminum or steel.

Part Number 290-SE0309-2 Aluminum

Part Number 122-PGP15 Steel



90° ELBOW

This iron elbow is 1 1/2" ID and is threaded at both ends.

Part Number 1586-14

NIPPLE

This is a 5" nipple with an ID of 1 1/2" and 1" of threading at each end. It is available in aluminum, steel, and schedule 80 aluminum.

Part Number 290-SE0436-5 Aluminum

Part Number 1586-13 Steel

Part Number 290-SE0475-5 Schedule 80 Aluminum

Also Available 10" Aluminum Nipple threaded on both ends

Part Number 290-36 Aluminum



TEE

This 1 1/2" ID iron tee is threaded at all three openings and is 3 7/8" across.

Part Number 1586-15



LOCKNUT

Locknut iron hex galvanized 1.5"

Part Number 1168-5



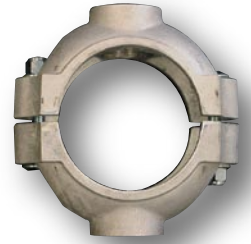
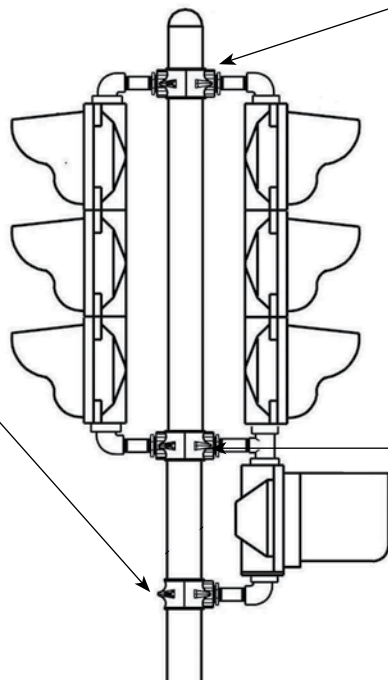
Miscellaneous Hardware



MOUNTING COLLAR

This aluminum one way mounting collar is used for side of pole mounting applications. Designed for 4 1/2" OD poles and is shipped with stainless steel bolts, washers and locking nuts.

Part Number 1168-13



MOUNTING COLLAR

This aluminum two way mounting collar is used for side of pole mounting applications. Designed for 4 1/2" OD poles and is shipped with stainless steel bolts, washers, and locking nuts.

Part Number 1168-14

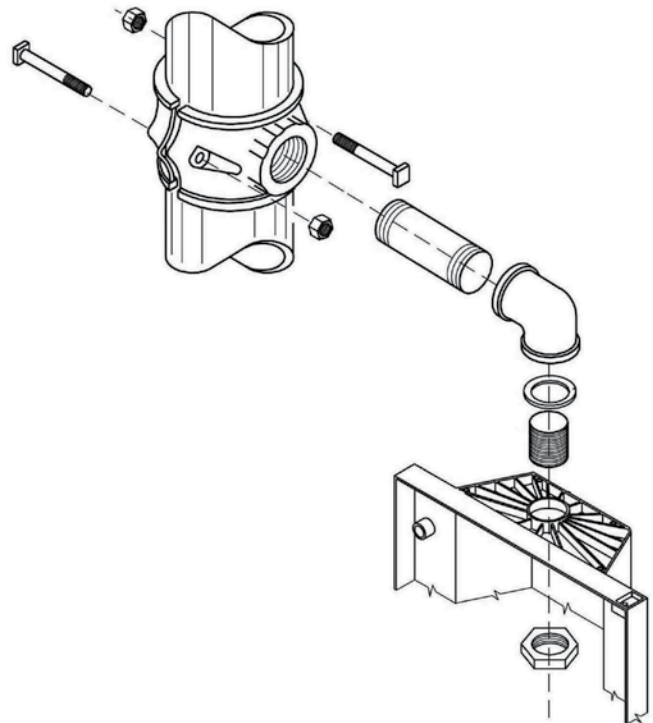


ORNAMENTAL MOUNTING KIT

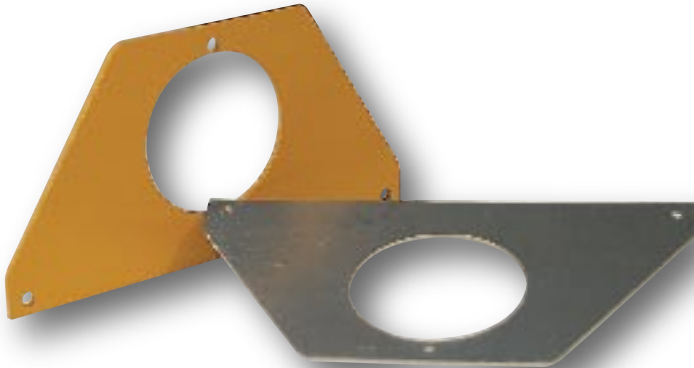
These side of pole mounting kits are available for 1 or 2 way mounting assemblies and include all necessary hardware.

Part Number 373-One-Way

Part Number 373-Two-Way



Miscellaneous Hardware



STIFFENING PLATES (FOR ADDITIONAL SUPPORT)

Used at the bottom of signals when mounted to the top of poles. Helps maintain rigidity in strong winds and other environmental conditions. Also strengthens the signal when multiple heads are arranged vertically.

Available in yellow or ready to paint to meet any requirements and will fit either 8" or 12" signal heads.

Part Number 122-K1188 – 2" Hole Yellow

Part Number 122-K1241 – 2.8125" Hole Yellow

Part Number 290-1188R – 2" Hole Raw

Part Number 290-1241R – 2.8125" Hole Raw

GROMMETS

These grommets are available in various sizes to accommodate pole thicknesses and are used to protect wires when pulled through drill holes. Also prevents water from seeping into poles.

Available in sizes -1" ID for 3/8" thick pole or 1/8" thick pole.

Part Number 510-2 Type 1 - 1" ID, 1 5/8" OD, 1/8" Gap

Part Number 510-3 Type 2 - 1" ID, 1 5/8" OD, 1/4" Gap

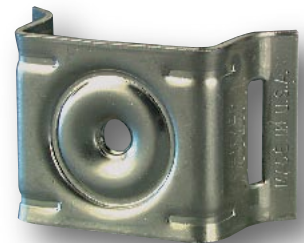
Part Number 510-4 Type 3 - 1" ID, 1 5/8" OD, 3/8" Gap



FLARED LEG BRACKET

Threaded 5/16" - 18 center hole saves time. Slot length is .81", accepts strap up to 3/4". Secure to 4" O.D. or larger pole with strap.

Part Number 35-8



SHIMS

These shims are available in various widths and lengths to straighten vertical mounting poles. Sold individually.

Sizes 1/8" thick and 1/16" thick

Part Number 159-3 1/16"

Part Number 159-4 1/8"



3/4" X 5/16" BOLT
Hex Head, Stainless Steel.
Fully threaded, solidly anchors sign with metal washer.

Part Number 35-10



Mounting Hardware

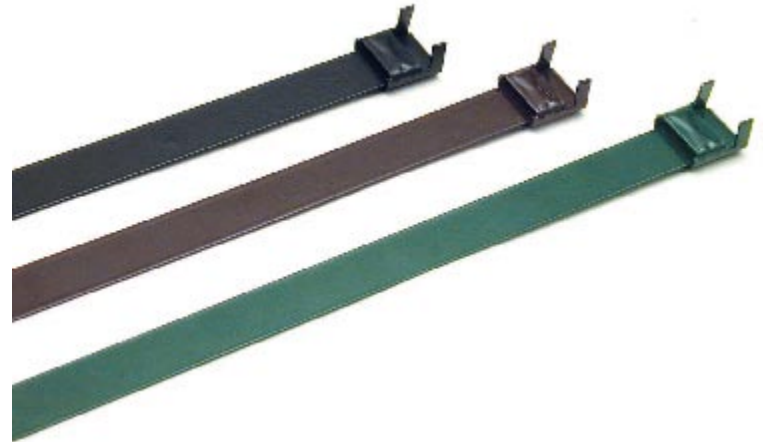
TAPCO TAPCO TAPCO TAPCO TAPCO TAPCO TAPCO TAPCO TAPCO TAPCO



Strapping Tools & Hardware

PAINTED STAINLESS STEEL STRAPPING

Our painted stainless steel strapping is powder-coated for durability. It is also available in other colors, lengths and widths by special order, and minimum quantities may apply.



Part Number	Color	Dimensions
497-3	Black	3/4" x .030" x 39"
497-4	Brown	3/4" x .030" x 39"
497-5	Green	3/4" x .030" x 39"



STAINLESS STEEL STRAPPING

3/4" x 200' x .020" coil in dispensing box. **Part Number 35-3**

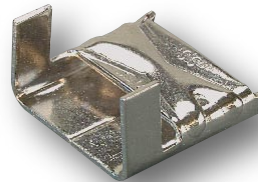
3/4" x 200' x .025" coil in dispensing box. **Part Number 35-4**
(Required for signal mounting.)

3/4" x 100' x .030" coil in dispensing box. **Part Number 497-1**

STAINLESS HEAVY-DUTY BUCKLE # 201

For 3/4" width strapping.

Part Number 497-2



STAINLESS STRAPPING CLIP

For 3/4" width strapping.

Part Number 35-7



HEAVY-DUTY STRAPPING TOOL

Windless Ratchet tensioner for 3/8" to 3/4" strapping to .030 thickness. Built-in Cutter and Hammer for wing seal closing.

Part Number 35-1

STRAP CUTTER

Coil spring keeps cutter open to accept strap.

Part Number 35-2



STANDARD STRAPPING TOOL

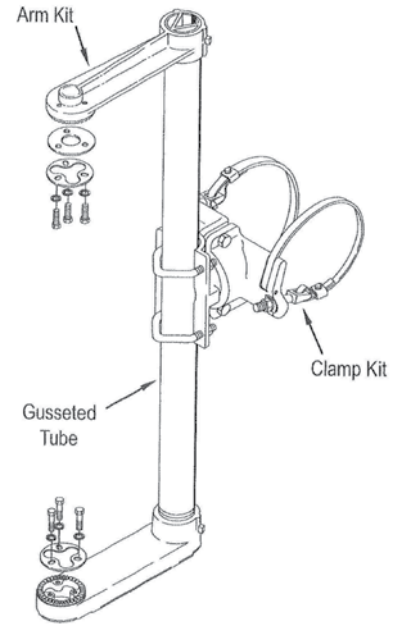
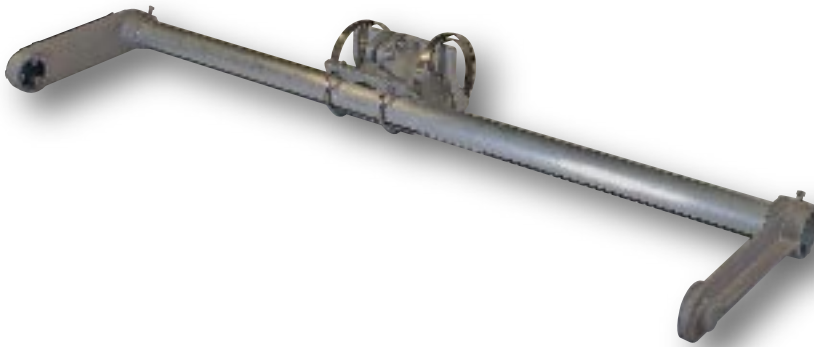
Forged with tensioning capability of over 2400 lbs. Apply bands, buckles, strapping and clamps. Built-in cutter.

Part Number 35-12



Astro-Brac

The Astro-Brac in its various configurations provides a universal mounting system for mounting signs, cameras, and any size or combination of signals to any size or shape mast arm or pole. This mounting system allows for a quick and easy installation for band, cable or tenon mounts.



ONE-WAY SIGNAL BAND MOUNT

This mount is designed to accommodate all traffic signals, with the exception of the optically programmed. It is supplied with the AB-3004 Band Mount Clamp Kit featuring all-axis adjustability. The 46" standard gusseted tube with the vinyl insert will accommodate all signal combinations up to 3 section 12". The 58" and 74" lengths are available for 4 and 5 section combinations. Please specify number of signal heads and band length requirements. Part Number AB-0116-X-X

First X designates number of sections, Second X designates band length.

Options
Signal Section: 1, 2, 3, 4 or 5
Band Length - 29", 36", 42", 48" or 56"
Stainless Upgrade

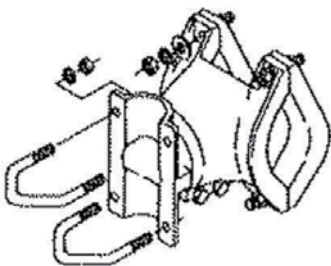
Options
Signal Section: 1, 2, 3, 4 or 5
Cable Length - 62", 84" or 96"

Cable Length	Pole Diameter
62"	4"-8.6"
84"	4"-11.6"
96"	4"-14.6"
Band Length	Pole Diameter
29"	4"-8.6"
36"	4"-10.8"
42"	4"-12.7"
48"	4"-14.6"
56"	4"-17.2"

TENON MOUNT KIT

Tenon mount fits 1.9" to 4.5" dia. Pole Can be used with Astro Brac Sign (AB-0105) or Signal (AB-0116) Brac

Part Number AB-3010

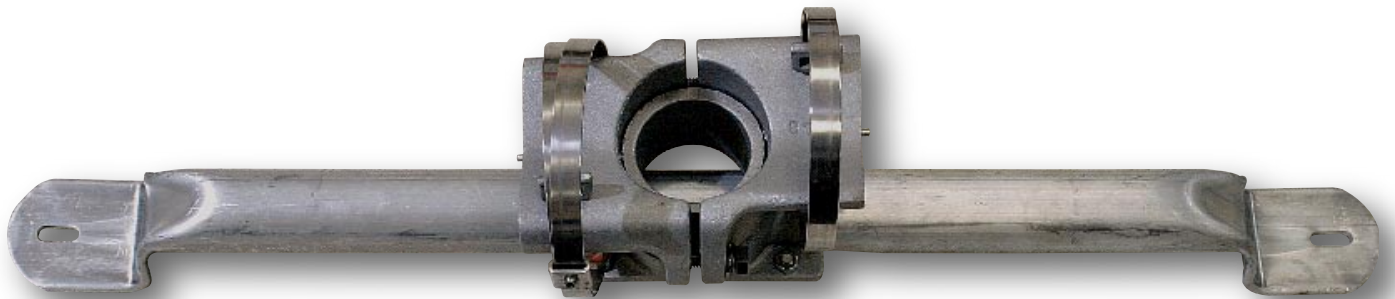


Mounting Hardware

TAPCO TAPCO TAPCO TAPCO TAPCO TAPCO TAPCO TAPCO TAPCO TAPCO



Astro-Brac



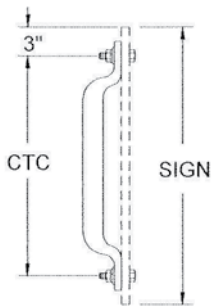
ASTRO-SIGN BRAC

These versatile mounting systems are designed to facilitate mast arm and pole mountings of flat sheet signs. May be used vertically or horizontally and is available with band or cable mount. When used in pairs for longer signs, or in single units for small signs allow adjustability for proper aiming and leveling.*

Part Number AB-0105-X-X

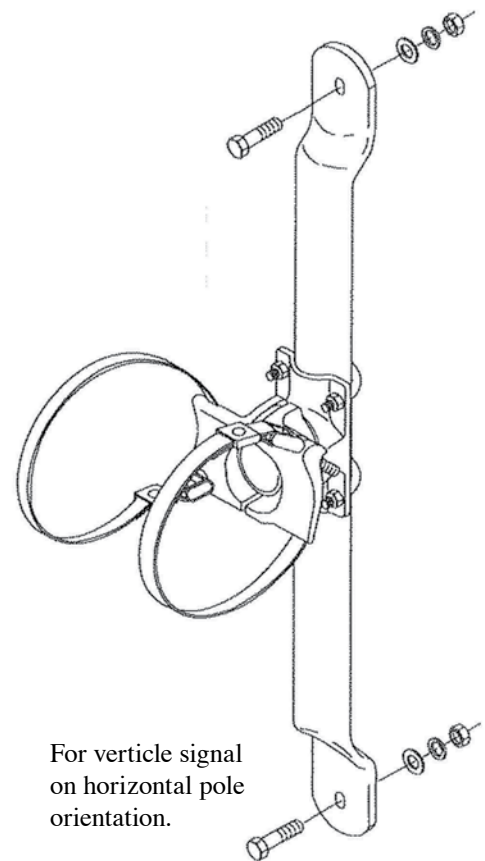
First X designates tube length
Second X designates band length

*** Rule of thumb: 1 bracket per 16 sq ft of sign.**



TUBE CTC	SIGN
9"	15"
12"	18"
15"	21"
18"	24"
24"	30"
30"	36"
36"	42"
42"	48"
48"	54"
60"	66"
66"	72"
72"	78"

Item 1-2 Options
CTC Dimensions (see chart)
Band Length - 29", 36", 42", 48" or 56"
Stainless Upgrade
Paint



For verticle signal on horizontal pole orientation.



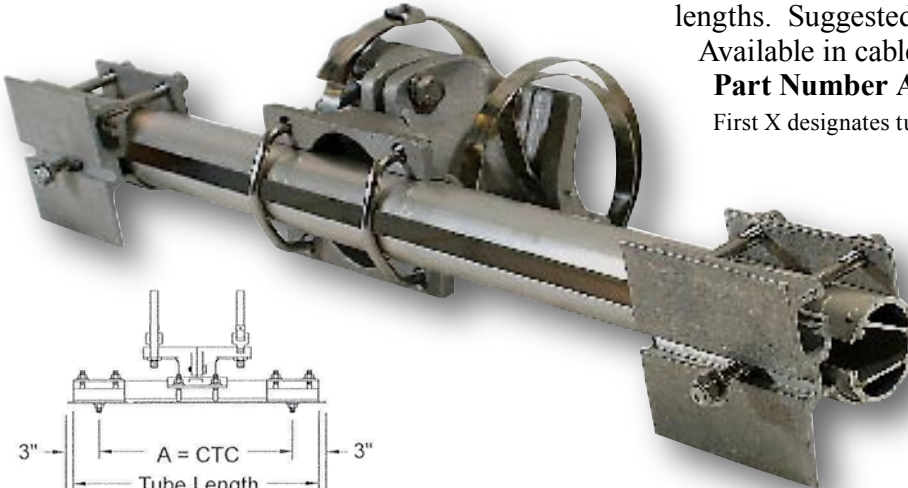
Astro-Brac

THE ASTRO SIGN BRAC ASSEMBLY

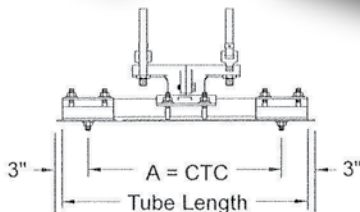
The Astro Sign Brac Assembly is for overhead street name signs available in many lengths and sizes. See charts for tube and band lengths. Suggested maximum sign face of 16 sq ft per bracket. Available in cable or band mount to accommodate most signs.

Part Number AB-0128-X-X

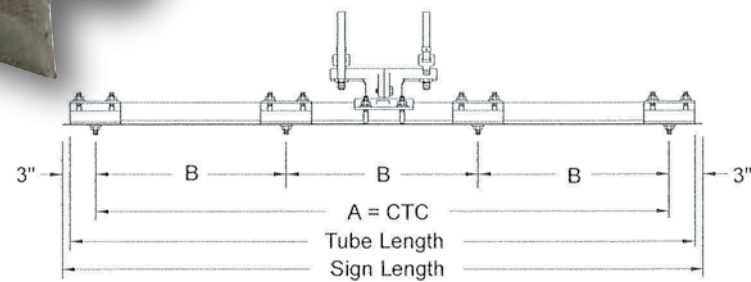
First X designates tube length Second X designates band length



Options
CTC Dimensions (see charts)
Band Length - 29", 36", 42", 48" or 56"
Stainless Upgrade
Paint



SIGNS 1'-6" to 3'-0" Long		
SIGN LENGTH	TUBE LENGTH	CTC (A)
1'-6"	16"	12"
2'-0"	22"	18"
2'-6"	28"	24"
3'-0"	34"	30"



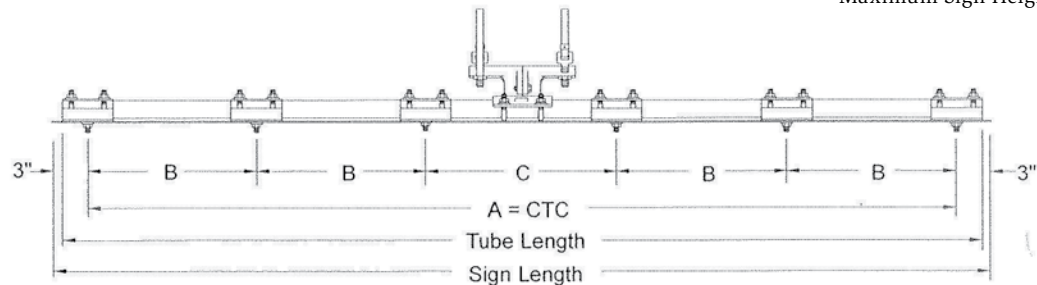
SIGNS 3'-6" to 8'-0" Long			
SIGN LENGTH	TUBE LENGTH	CTC (A)	(B)
3'-6"	40"	36"	12"
4'-0"	46"	42"	14"
4'-6"	52"	48"	16"
5'-0"	58"	54"	18"
5'-6"	64"	60"	20"
6'-0"	70"	66"	22"
6'-6"	76"	72"	24"
7'-0"	82"	78"	26"
7'-6"	88"	84"	28"
8'-0"	94"	90"	30"

Maximum Sign Height 48"

SIGNS 8' to 10' Long				
SIGN LENGTH	TUBE LENGTH	CTC (A)	(B)	(C)
8'-6"	100"	96"	19"	20"
9'-0"	106"	102"	20"	22"
9'-6"	112"	108"	21"	24"
10'-0"	118"	114"	22"	26"

Maximum Sign Height 16"

Maximum Sign Height 24"



Order by Phone 1-262-814-7000 Toll-free 1-800-236-0112
or Order by Fax 1-262-814-7017 Toll-free 1-800-444-0331

